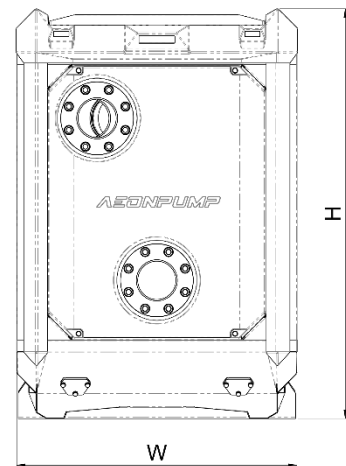
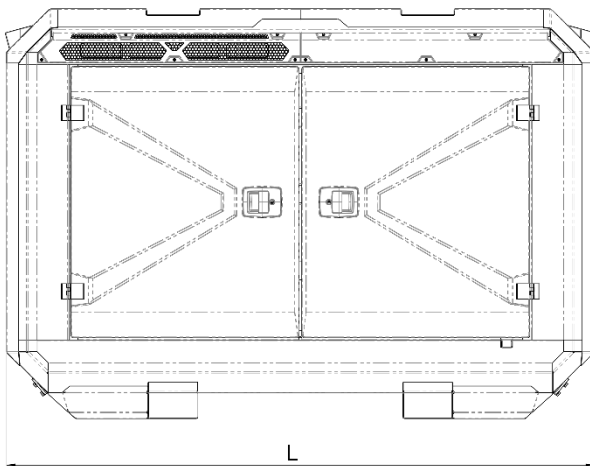


Pump specification:

Type: Kraken 4E
Max. flow: 95 m³/h
Max. pressure: 20 m
Max. Suction: 9,6m
Connection size: 4"
Electric motor: 5,5kW – 4 pole
Voltage: 400/690V –50Hz
Motor control: Star/delta switch
Frame LxBxH: 2200x1000x1250 mm
Dry weight: 950 kg



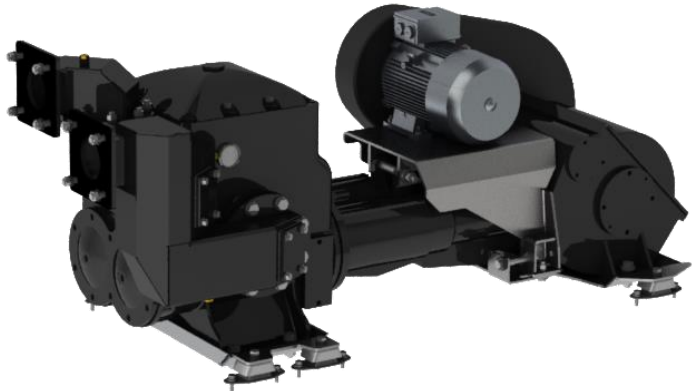
FEATURES AND COMPETITIVE EDGE

- Long maintenance intervals;
- High quality parts and long lifetime;
- Innovation, online telemetry and remote access capability;
- Designed for heavy duty applications in Wellpoint dewatering;
- Industry leading efficiency;

PUMP TECHNICAL SPECIFICATION

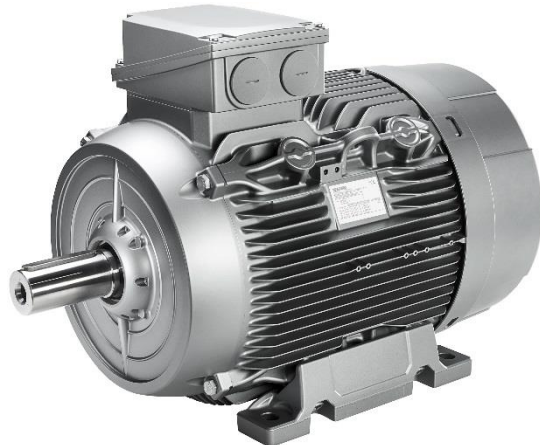
Pump

Pump type: ZD 900
Max. flow: 95m³/h
Max. pressure: 20 m
Max. Suction: 9,6m
Connection size: 4"
Pump body: Alloyed cast iron
Cylinder liners: Stainless
Piston cups: Leather
Piston rods: Stainless steel
Shaft seal: Gland packing
Valve rubbers: Ruber
Stone catcher: Steel HDG



Motor

Electric motor: 5,5kW – 4 pole
Voltage: 400/690V –50Hz
Engine speed: 1460RPM
Motor control: Star/delta switch
Cooling system: Air Cooled
E3: EC Directive 2005/32



Frame or canopy

Frame or canopy: Stackable
Material: Steel HDG
Dimensions LxWxH:
2200x1000x1250 mm
Lifting point: Single lifting point
Forklift pockets: forklift pockets

