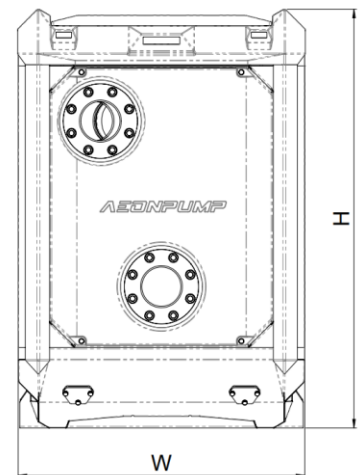
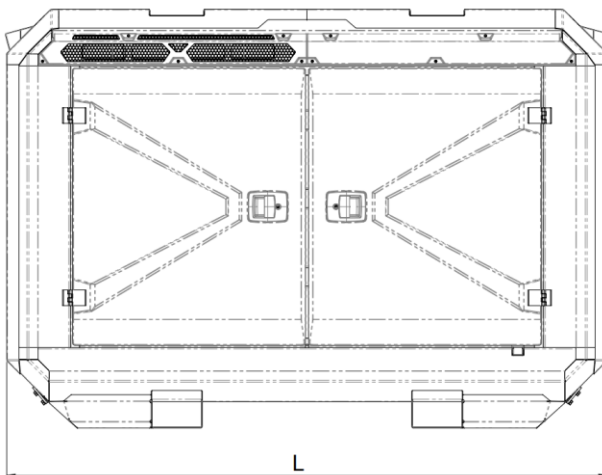


Pump specification:

Type: RAPTOR 6D
Max. flow: 430 m³/h
Max. pressure: 29 m
Connection size: 6"
Solids handling: 100 mm
Impeller type: screw impeller
Priming system: equipped
Diesel engine: 17.3kW
Emission standard: Stage V

Frame LxBxH: 2400x1100x1600 mm
Dry weight: 1650 kg



FEATURES AND COMPETITIVE EDGE

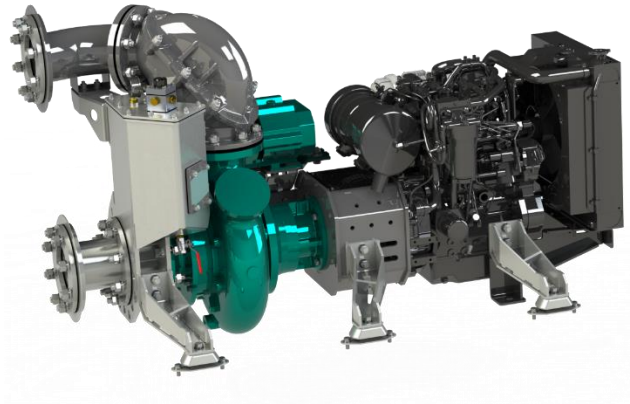
- Long maintenance intervals;
- High quality parts and long lifetime;
- Innovation, online telemetry and remote access capability;
- Designed for heavy duty applications in sewage, drainage and dewatering bypass;
- Industry leading efficiency;



PUMP TECHNICAL SPECIFICATION

Pump

Max. flow: 430m³/h
Max. pressure: 29 m
Impeller type: Screw impeller
Solids handling: 100 mm
Temperature: max. 40 °C
Casing: GG25 (0.6025)
Impeller: GGG60 (0.7060)
Suction Liner: GG20 (0.6020)
Suction liner adjustable by external regulation screws.
Wear Ring: GG20 (0.6020)
Shaft: 1.4021
Shaft Sealing: WC/SiC/NBR
O-Rings: NBR



Engine specification

Cylinders: 3
Displacement liters: 1.7
Aspiration Turbocharged
Bore and stroke mm (in) 84 x 100
Maximum power: 18.4kW
Variable speed: 1300-1600 rpm
Maximum torque: 98Nm @1400rpm
Combustion system: Indirect Injection
Emission standard: Stage V



Priming system

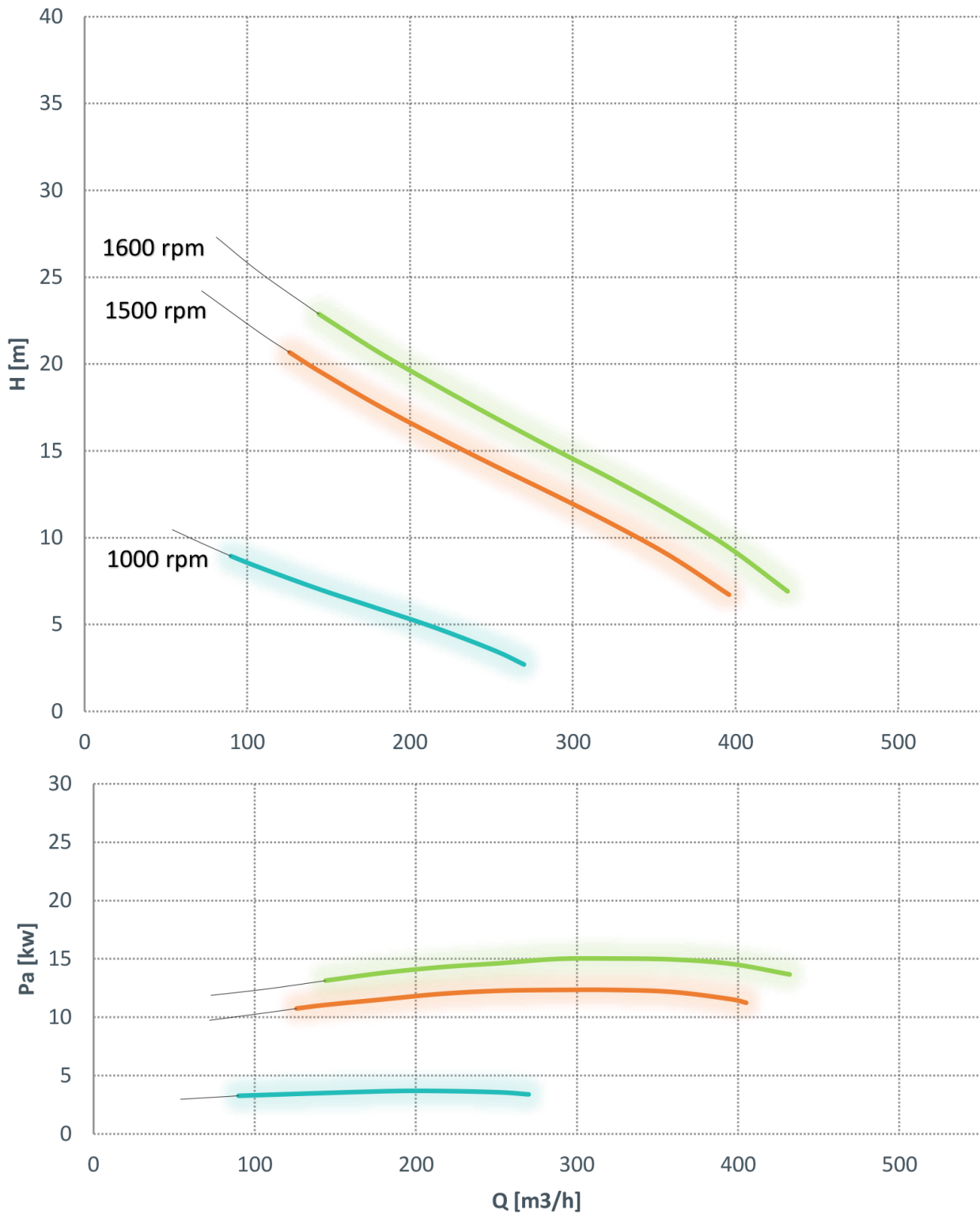
Air handling capacity: 60 m³/h
Max. vacuum: 9.0 m
Floatbox: HDG steel
Non return valve: Ductile iron GJS400
Check valve ball: Rubber NBR

Frame or canopy

Frame or canopy: Stackable
Material: Steel HDG
Dimensions LxWxH: 2400x1100x1600mm
Lifting point: Single lifting point
Forklift pockets: forklift pockets

Curves at speeds 1000 till 1600 rpm

(Testing according ISO 9906:2012-38)



Note: Pump power P include mechanical seal friction and bearing frame losses, from a run in bearing frame.